

Rollbase

Polyester fabric backed base sheet, for heat sensitive substrates in multi-layer torch-on membrane systems

USES

Rollbase is particularly suited as a base sheet for heat sensitive substrates in multi-layer torch applied bitumen membrane systems.

Rollbase may be attached to the substrate by a number of methods dependant upon the type of surface:

- Loose laid
- Mechanically fastened
- Fully or part adhered with Adhesive A901 (general purpose contact adhesive) - refer to Adhesive A901 MSDS & Technical Data Sheet before use, special precautions are needed as this adhesive is flammable.
- Hot asphalt roll & pour method

Rollbase has been specifically designed for use as a base sheet over timber or thermal insulation and may also be applied over old failed membranes.

ADVANTAGES

- Uniform thickness factory controlled in manufacture
- Reinforced with non-woven single strand spun bond polyester on the underside and fibreglass matt internally providing good dimensional stability and high strength
- Excellent cold flexibility -10°C
- The spun bond polyester fabric creates a micro air-space between the membrane and the substrate through which vapour may easily escape
- Manufactured with a selva edge for overlapping purpose providing a continuous waterproofing barrier against water ingress

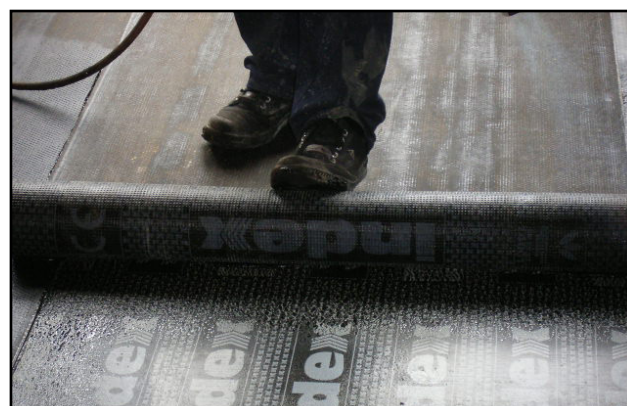
DESCRIPTION

Rollbase has been manufactured from special elastoplastomeric polymer-bitumen with the underside coated with single strand spun bond polyester fabric and internally reinforced with fibreglass mat.

The inorganic reinforcement gives the sheet excellent dimensional stability while the polyester fabric guarantees the mechanical resistance necessary to resist tearing and puncture. The upper face is coated with Flamina and embossing. The flamina is a plastic film that melts when torched. The embossing maintains the pre-tension and optimal retraction of the film and allows the torch a greater surface area for faster and more reliable installation.

TECHNICAL SUPPORT

Parchem offers a technical support package to specifiers, end-users and contractors, as well as on-site technical assistance.



SPECIFICATION CLAUSES

Where so designated on the drawings the surface to be treated shall be a multi-layer, reinforced, bitumen modified waterproofing membrane system.

The waterproofing shall be built up using a base layer of Index Rollbase, a bituminous felt backed base sheet, internally reinforced with fibreglass. The underside shall be coated with single strand spun bond polyester fabric and modified with elastoplastomeric polymer-bitumen. All following layers shall be as per the specification.

PROPERTIES

Product code:	742010
Size:	Roll width 1 m, length 10 m
Thickness:	2 mm
Reinforcement:	Polyester/fibreglass composite
Tensile strength (EN 12311-1)	
- longitudinal	400 N/50 mm
- transverse	200 N/50 mm
Ultimate elongation (EN 12311-1)	
- longitudinal	50%
- transverse	20%
Dimensional stability @ 120°C (UNI 8202):	Stable
Dimensional stability in hot conditions (EN 1107-1):	
- longitudinal	-0.20
- transverse	+0.10%
Flexibility in cold conditions (EN 1109):	- 10°C
Resistance to tearing (EN 12311-1)	
- longitudinal	290 N
- transverse	190 N
Static puncture resistance (UNI 8202):	
- on concrete	200 N
- on polystyrene	150 N
Permeability to water:	> 60.000

APPLICATION INSTRUCTIONS

Surface Preparation

All surfaces to which Rollbase is to be applied must be smooth, free from contaminants and loose material.

Rough concrete must be faired up before commencing application.

Existing membrane shall be clean. All blisters and defects in the old membrane must be cut out and repaired as required to provide a good sound substrate to which the new membrane system may be applied.

Timber substrates may require a primer coat of Adhesive A901 cut back with Solvent 10 by 50% and allowed to dry prior to applying the Rollbase sheet product.

Application

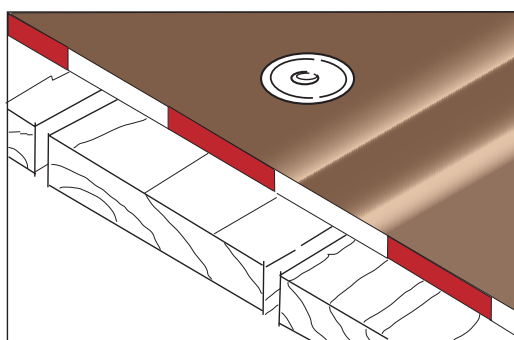
Planning the installation of the membrane is important to ensure joints occur in suitable locations.

Rollbase is generally laid to allow side laps of 50 mm with the end abutted and not overlapped. When the membrane has been installed, a strip of smooth membrane such as Argo / Fidia / Modo/P at least 15 cm wide, should be bonded over the traversal joints.

Fully or Part Bonding

The Rollbase shall be unrolled and set in to the exact position in which it is to be attached; it shall be folded back sideways to expose half of the underside. **Refer to Adhesive A901 MSDS specifically regarding the Flash Point and Flammability.** Apply a coat of Adhesive A901 to the exposed surface (either fully covered or spot bonded dependant on the requirement), work the membrane back into position avoiding wrinkles or entrapping air bubbles. Repeat the process with the rest of the sheet. Upon completion broom out any air to maximise adhesion.

A minimum drying period of 2 hours with good air-flow is required to dry the adhesive – **ENSURE THIS IS DONE BEFORE USING ANY HEAT SOURCE IN THE AREA AND ENSURE ALL ADHESIVE A901 CONTAINERS ARE REMOVED FROM THE AREA.** After installation of the Rollbase the side laps shall be heat fused together to provide a homogenous joint. The bonding of the laps and over-stripping of the traversal joint must not be carried out until the adhesive has been allowed to fully dry for a minimum of 2 hours.



Nailing on wood

Mechanically Fixing

Rollbase may be mechanically fixed over concrete, timber or insulation panels.

The membrane shall be unrolled and set in to the exact position in which it is to be attached. The membrane shall be fixed with washers and the appropriate fixings. Generally the fixings are placed at the edge of the Rollbase with the adjacent sheet layed over the fixing to encapsulate the fixing. The fixing spacing will be dependant on the Engineers requirements however generally the spacing for the fixings is 1 m apart through the main area and 50 cm around the perimeter.

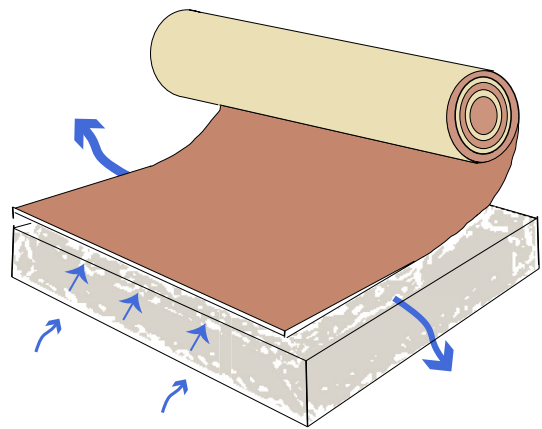
Rollbase is generally installed to the horizontal surface only with all detail and up-stands detailed with a layer of plane Index membrane such as Argo / Fidia / Modo/P.

The following layers shall be installed by the torch method of application.

For more detailed specification information contact your local Parchem sales office.

Protection

Rollbase is not designed as a stand alone membrane and must have additional layers of membrane applied. If the final membrane is to be exposed to UV, a mineral finish is required - such as Sirio Mineral or Testudo Mineral.



ESTIMATING

Supply

Rollbase: 1 m wide rolls, 10 m long

Adhesive A901: 2 - 5 m² per litre depending on porosity of substrate

Note: no allowance has been made for wastage.

STORAGE

Storage conditions

Store in cool, dry conditions ie. not exceeding 25°C.

Rolls must be stored on end and must NOT be stored lying down.



ADDITIONAL INFORMATION

Parchem provides a wide range of complementary products which include:

- waterproofing membranes – liquid applied, cementitious and bituminous sheet membranes
- concrete repair – cementitious and epoxy
- grouts and anchors – cementitious and epoxy
- waterstops – pvc and swellable
- joint sealants – building, civil and chemical resistant
- industrial flooring systems – cementitious and epoxy
- architectural coatings
- filler boards – swellable cork, bituminous and backing rod
- ancillary products

For further information on any of the above, please consult with your local Parchem sales office.

IMPORTANT NOTICE

A Material Safety Data Sheet (MSDS) and Technical Data Sheet (TDS) are available from the Parchem website or upon request from the nearest Parchem sales office. Read the MSDS and TDS carefully prior to use as application or performance data may change from time to time. In emergency, contact any Poisons Information Centre (phone 13 11 26 within Australia) or a doctor for advice.

PRODUCT DISCLAIMER

This Technical Data Sheet (TDS) summarises our best knowledge of the product, including how to use and apply the product based on the information available at the time. You should read this TDS carefully and consider the information in the context of how the product will be used, including in conjunction with any other product and the type of surfaces to, and the manner in which, the product will be applied. Our responsibility for products sold is subject to our standard terms and conditions of sale. Parchem does not accept any liability either directly or indirectly for any losses suffered in connection with the use or application of the product whether or not in accordance with any advice, specification, recommendation or information given by it.