

# Combination Bar Chairs

## Combination bar chairs

### USES

- Slab on ground
- Pod slabs
- Swimming pools

### DESCRIPTION

#### 1. STANDARD COMBINATION CHAIRS

A full range of the most common bar chairs, manufactured from selected plastics for superior performance, tested to exceed loads of 200kg available in: 25 & 40, 50 & 65, 75 & 90, 85 & 100mm cover.

#### 2. CLIP-ON CHAIRS

The easy clip-on mechanism ensures correct placement, when walking on, or moving the reinforcing mesh, tested to exceed loads of 200kg available in the popular 50 & 65mm size.

#### 3. SOG® CLIP-ON CHAIRS

A high load barchair tested to exceed loads of 300kg, eliminating voids in the concrete, with the convenience of a side-clip mechanism, can also be used as trench mesh support available in: 50&65mm cover.

### APPLICATIONS

- Two layers of mesh in precast panels
- Bar in suspended decks

### SUPPLY

Standard in 25 & 40, 50 & 65, 75 & 90, 85 & 100mm cover.

Standard clip-on and SOG® in 50 & 65mm cover.



# Combination Bar Chairs



## PROPERTIES

### STANDARD

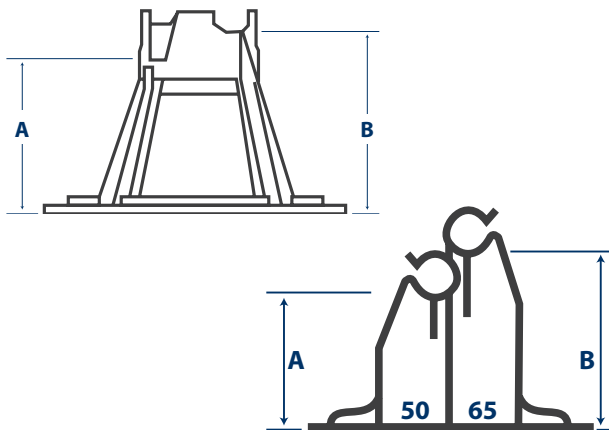
P/Code	Cover (A/B)	Mass p/bag (kg)
BC25/40	25/40	2.0
BC50/65	50/65	4.0
BC75/90	75/90	4.8
BC85/100	85/100	5.1

### CLIP-ON

P/Code	Cover (A/B)	Mass p/bag (kg)
BC50/65C	50/65	4.0

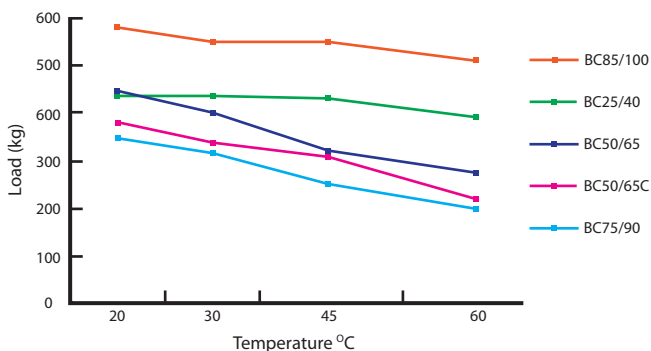
### SOG® CLIP-ON

P/Code	Cover (A/B)	Mass p/bag (kg)
BCSOG50/65C	50/65	2.9



## LOAD PERFORMANCE

Tests were conducted at Modfix's own testing facilities and are indicative of load performances, at temperatures indicated.



## ADDITIONAL INFORMATION

Parchem provides a wide range of complementary products which include:

- concrete repair – cementitious and epoxy
- grouts and anchors – cementitious and epoxy
- waterproofing membranes – liquid applied, cementitious and bituminous sheet membranes
- waterstops – pvc and swellable
- joint sealants – building, civil and chemical resistant
- industrial flooring systems – cementitious and epoxy
- architectural coatings
- filler boards – swellable cork, bituminous and backing rod
- ancillary products

For further information on any of the above, please consult with your local Parchem sales office.

## IMPORTANT NOTICE

A Material Safety Data Sheet (MSDS) and Technical Data Sheet (TDS) are available from the Parchem website or upon request from the nearest Parchem sales office. Read the MSDS and TDS carefully prior to use as application or performance data may change from time to time. In emergency, contact any Poisons Information Centre (phone 13 11 26 within Australia) or a doctor for advice.

## PRODUCT DISCLAIMER

This Technical Data Sheet (TDS) summarises our best knowledge of the product, including how to use and apply the product based on the information available at the time. You should read this TDS carefully and consider the information in the context of how the product will be used, including in conjunction with any other product and the type of surfaces to, and the manner in which, the product will be applied. Our responsibility for products sold is subject to our standard terms and conditions of sale. Parchem does not accept any liability either directly or indirectly for any losses suffered in connection with the use or application of the product whether or not in accordance with any advice, specification, recommendation or information given by it.



PARCHEM	TILT UP		
TECHNICAL DATA SHEET	FEBRUARY 2010		
www.parchem.com.au	7 Lucca Road, Wyong NSW 2259	Phone 1300 737 787	ABN 80 069 961 968